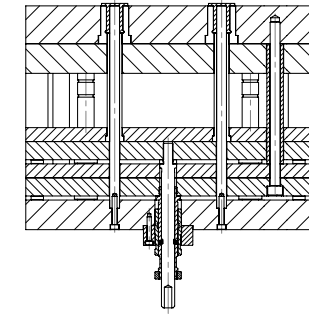
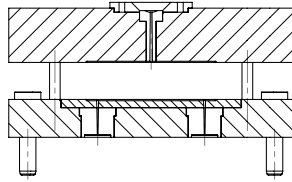
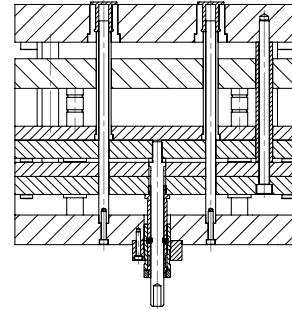
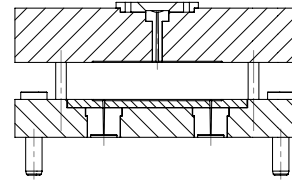


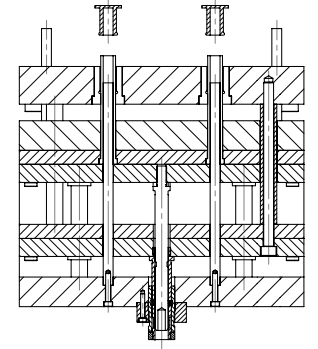
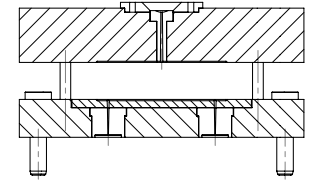
SECTION A-A
EJECTOR PLATES BACK - MOLD CLOSED



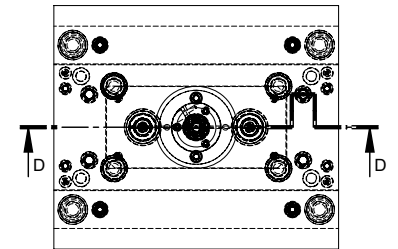
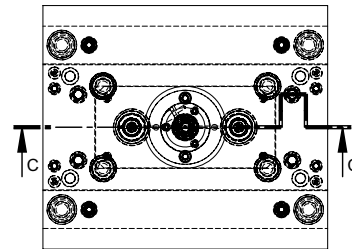
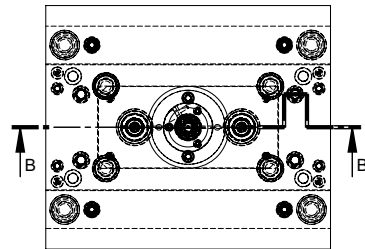
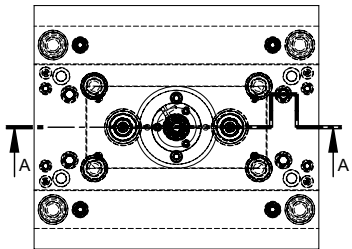
SECTION B-B
EJECTOR PLATES BACK - MOLD OPEN



SECTION C-C
FIRST EJECTOR STROKE



SECTION D-D
SECOND EJECTOR STROKE



**TWO STAGE EJECTOR FW1800
APPLICATION EXAMPLE 1A**