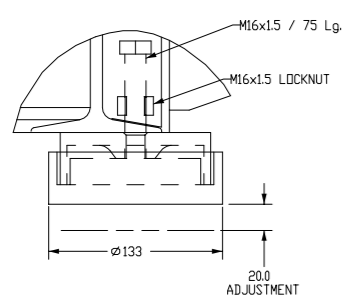
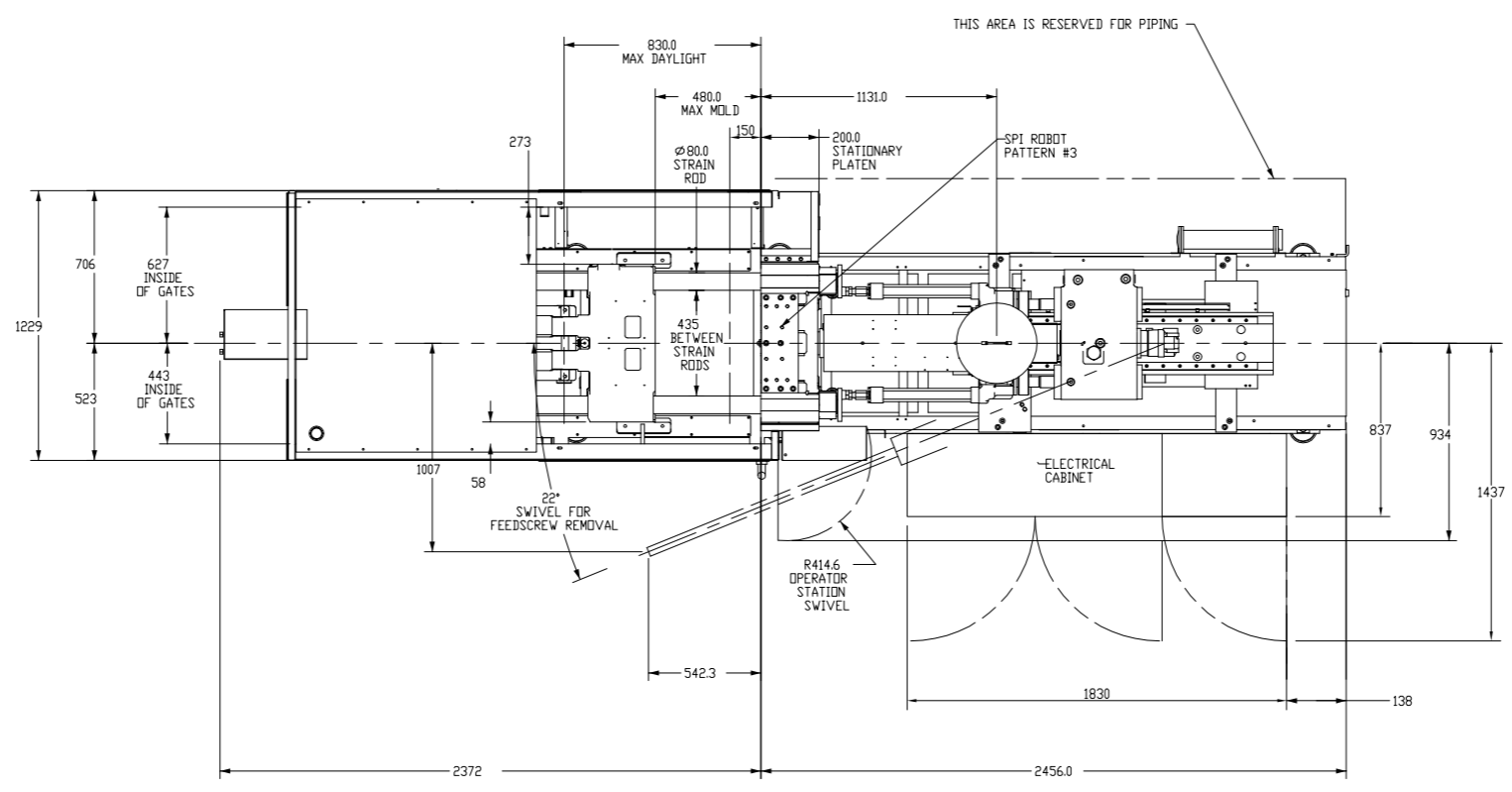
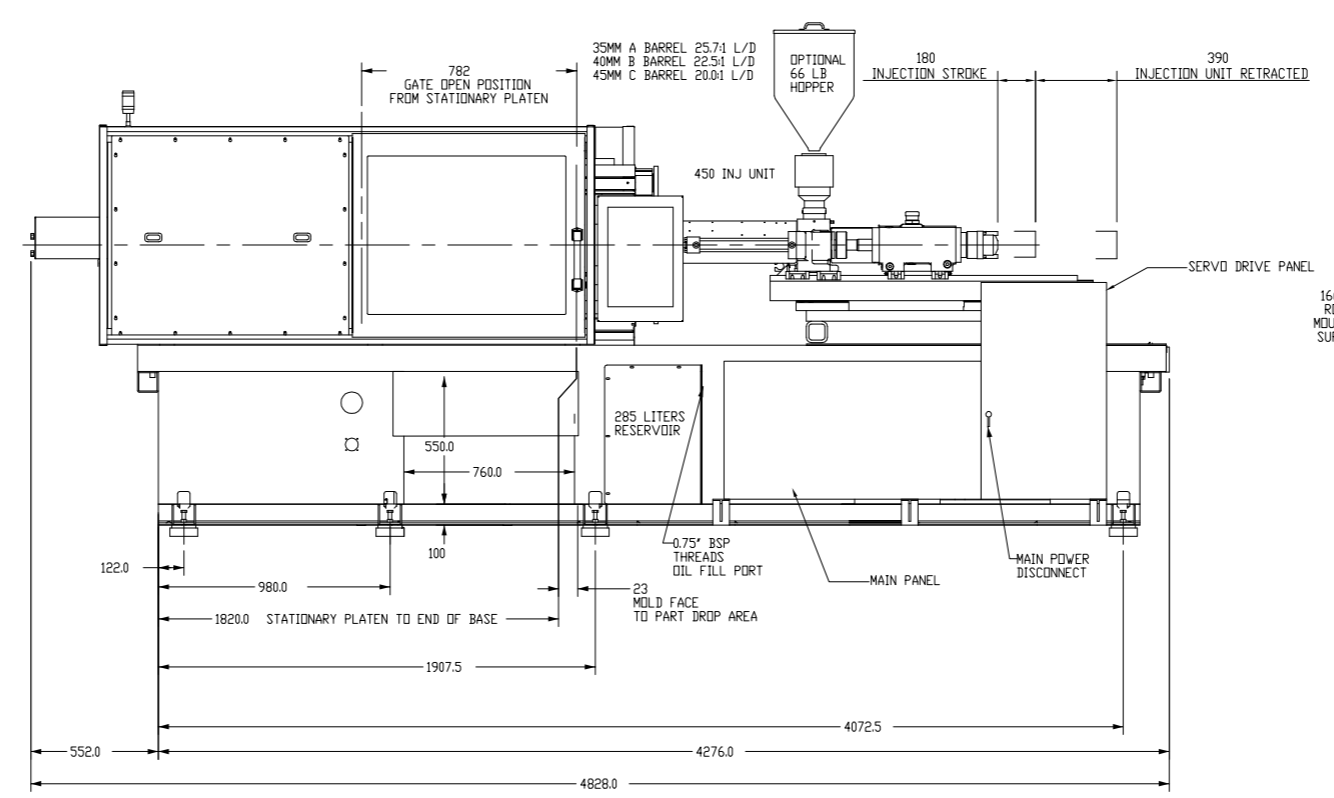
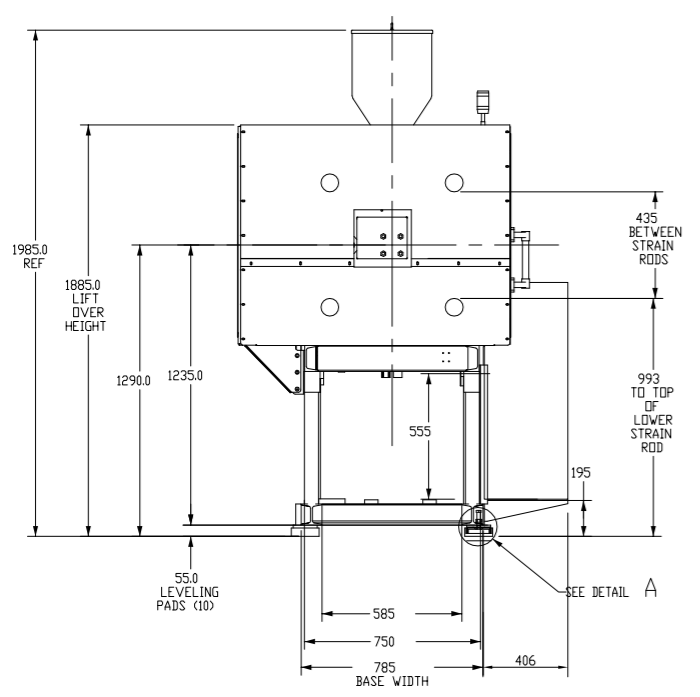
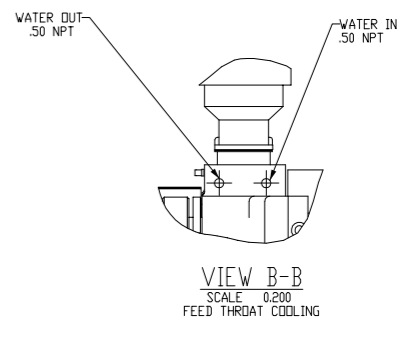


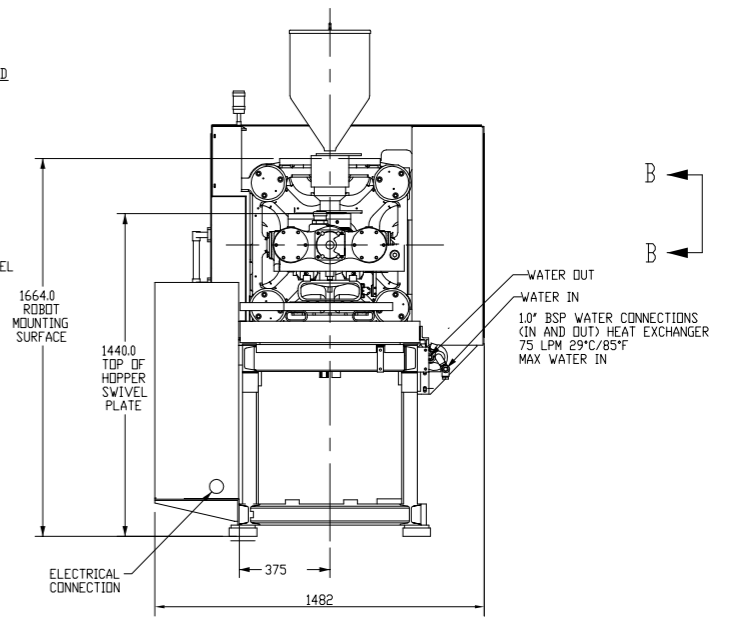
DO NOT SCALE DRAWINGS  
 BREAK ALL SHARP CORNERS UNLESS OTHERWISE SPECIFIED  
 COUNTERSINK ALL TAPPED HOLES IN FINISHED SURFACES



DETAIL A  
 SCALE 0.500



SCALE 0.080



TOTAL MACHINE WEIGHT (NO MOLD):  
 DRY.....5255 KG/11561 LBS/5.78 USTONS  
 WITH OIL.....5540 KG/12188 LBS/6.1 USTONS

WEIGHT WITH OIL (NO MOLD)				
WEIGHTS		# OF LEVELING PADS	AVG PRESSURE UNDER PADS N/cm <sup>2</sup>	AVG PRESSURE UNDER PADS PSI
KG	LB			
5540	12188	8	49	72

FMI PART NO. 5311370-1 (8) PLACES  
 MAXIMUM LEVELING MOUNT LOAD:  
 1300 KG

GENERAL ASSEMBLY MT110 SERVO 450 INJ UNIT