



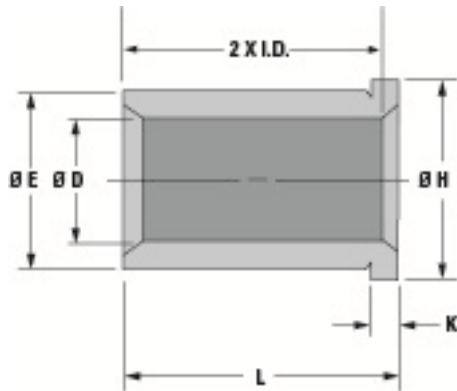
# Custom Guide/Leader Pin Bushing Quote Request Form

Email completed form to:  
[customer\\_service@dme.milacron.com](mailto:customer_service@dme.milacron.com)

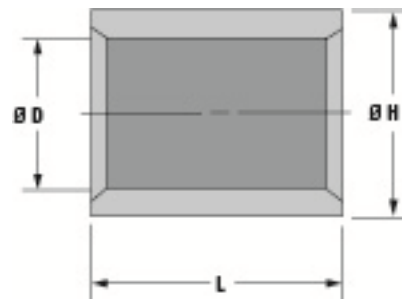


Company name: _____ Contact name: _____ Phone: _____ Address: _____ City: _____ ZIP: _____	DME Acct #: _____ Job #: _____ Fax #: _____ E-mail: _____ State: _____ Country: _____
---	--

**Material:**  Steel  Bronze-Plated  Solid Bronze  Self-Lubricating



Call out	Required Dimension	Tolerance
D (I.D.)		+0.0005/-0.0000
E (O.D.)		+0.0005/-0.0000
H (Head Diameter)		+0.000/-0.030
K (Head Thickness)		+0.003/-0.005
L (Length)		See below
<i>All 5 dimensions must be specified</i>		
	Steel	+0.00/-0.06
	Bronze-Plated	+0.00/-0.06
	Solid Bronze	+0.00/-0.06
	Self-Lubricating	+0.00/-0.03



Call out	Required Dimension	Tolerance
D (I.D.)		+0.0005/-0.0000
H (O.D.)		+0.0005/-0.0000
L (Length)		See below
<i>All 3 dimensions must be specified</i>		
	Steel	+0.00/-0.06
	Bronze-Plated	+0.00/-0.06
	Solid Bronze	+0.00/-0.06
	Self-Lubricating	+0.00/-0.03

Comments

**For additional work, contact Customer Service at 800-626-6653**