

D-M-E

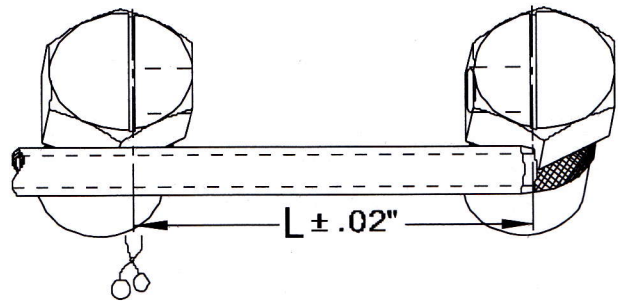
JIFFY-TITE® COOLANT BRIDGE

☆ The Coolant Bridge provides a more compact, neater, and safer way to connect ports on a mold.

☆ Industry exclusive indicator grooves facilitate cutting tubes to the desired length.

INSTALLATION:

- 1.) Cut finished tube to the desired length using the indicator grooves on top of the socket adapters. First install the sockets in place, checking to make sure the holes in the socket adapters are facing each other. Then use center of groove as cut line. **Leakage could result if tube length tolerance is not observed.**



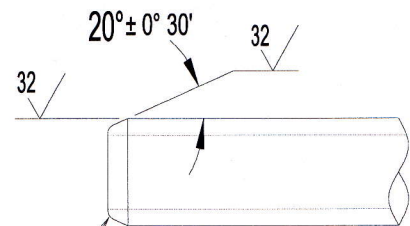
L = Length of cut tube from center of groove to center of groove

Do not exceed 200 psi and 400° F

-over-

- 2.) It is important to properly chamfer the ends of the tube as shown to prevent damage to o-ring seal (Viton) as tube is inserted. Chamfer the ends of the tubes as follows:

- Chamfer the 5/16" O.D. tube (200 series) .07" x 20°.
- Chamfer the 7/16" O.D. tube (300 series) .08" x 20°.



Corners to be smooth and free of burrs.

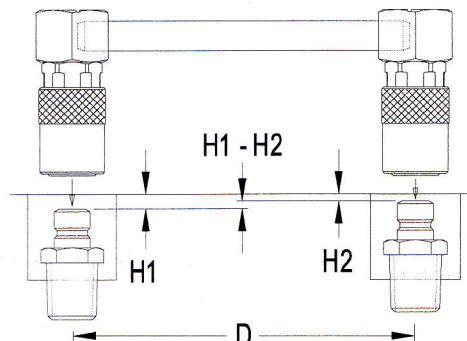
R.02 Max. acceptable.

.07 ± .01" - 5/16" O.D. tube
.08 ± .01" - 7/16" O.D. tube

-over-

- 3.) Insert tube into socket adapters to form the bridge. Connect bridge to plugs already in the mold counterbores. Plugs should be installed at approximately equal heights, see reference chart.

Jiffy Seal® thread sealant permits initial repositioning of the connector plugs without the need for additional sealant.



D:	H1 - H2:
2" to 4"	± .010"
over 4" to 8"	± .020"
over 8" to 12"	± .030"
over 12" to 18"	± .040"

H1 - H2 is the allowable difference in installed height from the edge of the mold to the neighboring plugs.